

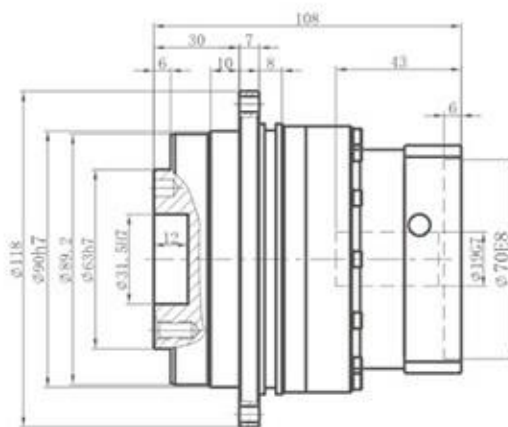
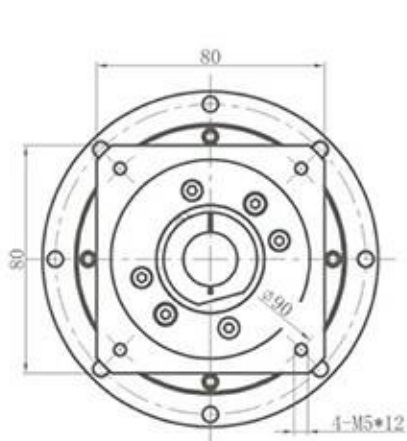


# 外形尺寸

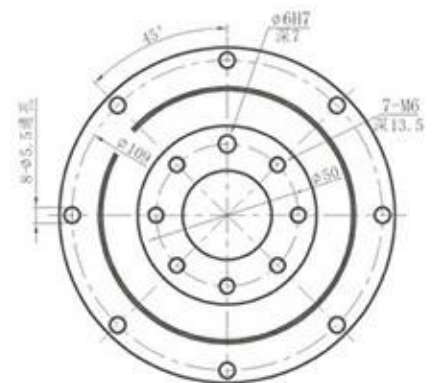
Dimensions

## PD064-L1

输入端 (Input)

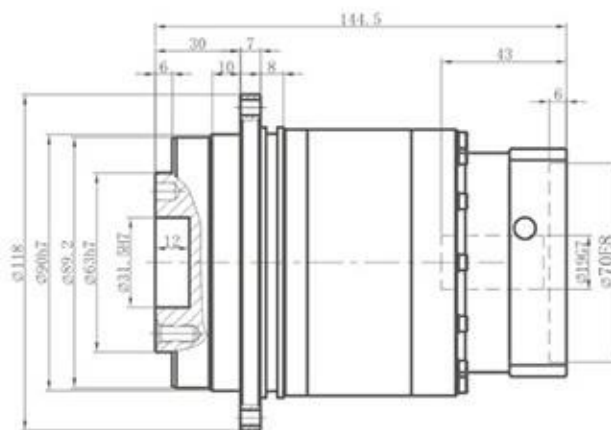
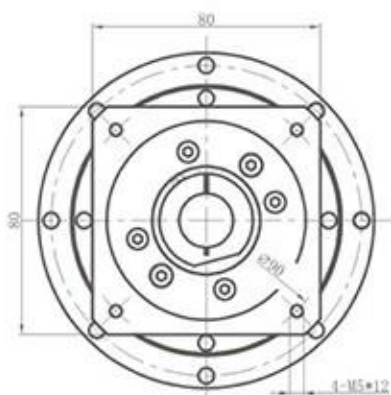


输出端 (Output)

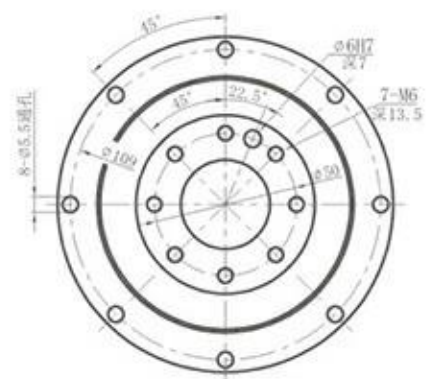


## PD064-L2

输入端 (Input)



输出端 (Output)



# 性能参数

Performance parameter

PD064

PD090

PD110

PD140

PD200

		L1 单节 One Stage						L2 双节 Two Stage							
速比 Speed	t	i	4	5	7	8	10	20	25	35	40	50	70	100	
额定输出力矩 Rated output torque	T <sub>1</sub>	Nm	48	60	50	50	40	48	60	50	60	60	50	40	
急停扭矩 Emergency Stop Torque	T <sub>2</sub>	Nm	X3						X3						
额定输入转速 Rated Input Speed	S <sub>1</sub>	rpm	5000						5000						
最大输入转速 Maximum Input Speed	S <sub>2</sub>	rpm	10000						10000						
最大输出力矩 Maximum Output Torque	T <sub>4</sub>	Nm	T <sub>1</sub> * X3 * 60%						T <sub>1</sub> * X3 * 60%						
最大径向力 Maximum Radial Force	F <sub>a</sub>	N	1050						1050						
最大轴向力 Maximum Axial Force	R	N	125						125						
扭转刚性 Torsional Rigidity	-	Nm/ arcmin	13						13						
效率 Effectivraieess	B	%	>97						>94						
寿命 Life		h	20000						20000						
反馈噪音 Feedback Noise		dB	<58						<58						
重量 Weight		Kg	1.2						1.6						
回程间隙 Backlash	P <sub>0</sub>	arcmin	≤ 1						≤ 1						
	P <sub>1</sub>		≤ 3						≤ 3						
	P <sub>2</sub>		≤ 5						≤ 5						
使用温度 Operating Temperature		°C	-10°C-90°C						-10°C-90°C						
润滑 Lubricating			合成油脂 Synthetic Grease						合成油脂 Synthetic Grease						
防护等级 Protection Level			IP65						IP65						
传动惯量 Transmission Inatia	J	kg.cm <sup>2</sup>	0.14	0.13					0.03						
安装方向 Installation Direction			任意方向 Any Direction						任意方向 Any Direction						

## 备注:

变速比( $i=S_{in}/S_{out}$ )

结果输出转速100rpm时, 作用于输出轴中心。

连续运转寿命10000h。

噪音值基于输入转速3000rpm,  $i=10$ 所得。

## Remarks:

Speed ratio ( $i=S_{in}/S_{out}$ )

When the output speed is 100 rpm, it acts on the center of the output shaft.

For continous operation, the service life is no less than 10,000 hours.

The noise value was measured based on the input rotational speed of 3000 rpm,  $i=10$ .

此样本中的所有产品型号及参数如有变更恕不另行通告, 订货前请与本司确认。

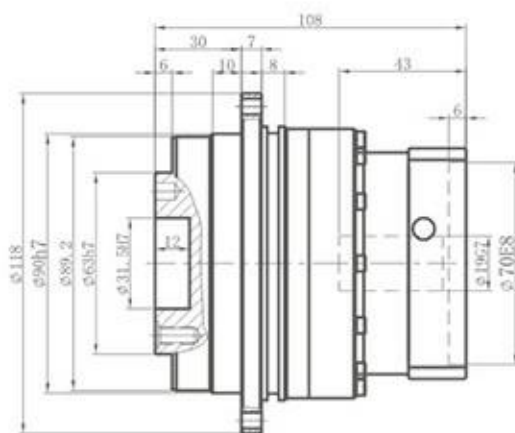
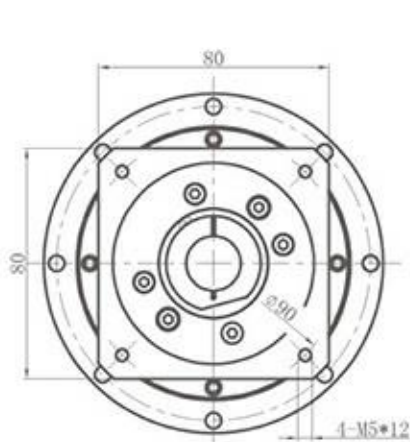
Any product models and parameters in this sample are subject to change without prior notice. Please confirm with the company before ordering.

# 外形尺寸

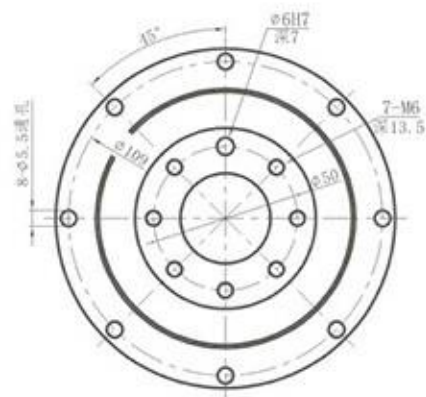
Dimensions

PD090-L1

输入端 (Input)

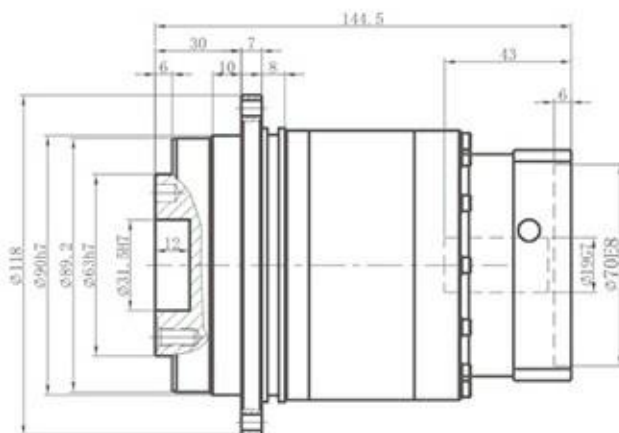
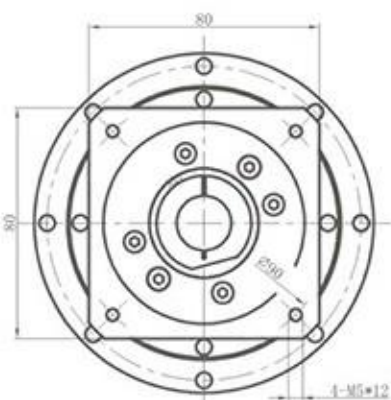


输出端 (Output)

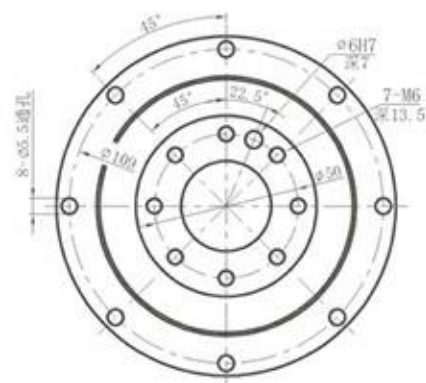


PD090-L2

输入端 (Input)



输出端 (Output)



# 性能参数

Performance parameter

		PD064		PD090				PD110				PD140				PD200			
				L1 单节 One Stage								L2 双节 Two Stage							
速比 Speed	t	l	4	5	7	8	10	20	25	35	40	50	70	100					
额定输出力矩 Rated output torque	T <sub>1</sub>	Nm	130	160	140	140	100	130	160	140	130	160	140	100					
急停扭矩 Emergency Stop Torque	T <sub>2</sub>	Nm	X3								X3								
额定输入转速 Rated Input Speed	S <sub>1</sub>	rpm	4000								4000								
最大输入转速 Maximum Input Speed	S <sub>2</sub>	rpm	8000								8000								
最大输出力矩 Maximum Output Torque	T <sub>4</sub>	Nm	T <sub>1</sub> * X3 * 60%								T <sub>1</sub> * X3 * 60%								
最大径向力 Maximum Radial Force	F <sub>a</sub>	N	2310								2310								
最大轴向力 Maximum Axial Force	R	N	235								235								
扭转刚性 Torsional Rigidity	-	Nm/ arcmin	31								31								
效率 Effectivraiss	B	%	>97								>94								
寿命 Life		h	20000								20000								
反馈噪音 Feedback Noise		dB	<60								<60								
重量 Weight		Kg	3								3.7								
回程间隙 Backlash	P <sub>0</sub>	arcmin	≤ 1								≤ 1								
	P <sub>1</sub>		≤ 3								≤ 3								
	P <sub>2</sub>		≤ 5								≤ 5								
使用温度 Operating Temperature		°C	-10°C-90°C								-10°C-90°C								
润滑 Lubricating			合成油脂 Synthetic Grease								合成油脂 Synthetic Grease								
防护等级 Protection Level			IP65								IP65								
传动惯量 Transmission Inatia	J	kg.cm <sup>2</sup>	0.51	0.47	0.45	0.44	0.13												
安装方向 Installation Direction			任意方向 Any Direction								任意方向 Any Direction								

## 备注:

变速比( $i=S_{in}/S_{out}$ )

结果输出转速100rpm时, 作用于输出轴中心。

连续运转寿命10000h。

噪音值基于输入转速3000rpm,  $i=10$ 所得。

## Remarks:

Speed ratio ( $i=S_{in}/S_{out}$ )

When the output speed is 100 rpm, it acts on the center of the output shaft.

For continuous operation, the service life is no less than 10,000 hours.

The noise value was measured based on the input rotational speed of 3000 rpm,  $i=10$ .

此样本中的所有产品型号及参数如有变更恕不另行通告, 订货前请与本司确认。

Any product models and parameters in this sample are subject to change without prior notice. Please confirm with the company before ordering.

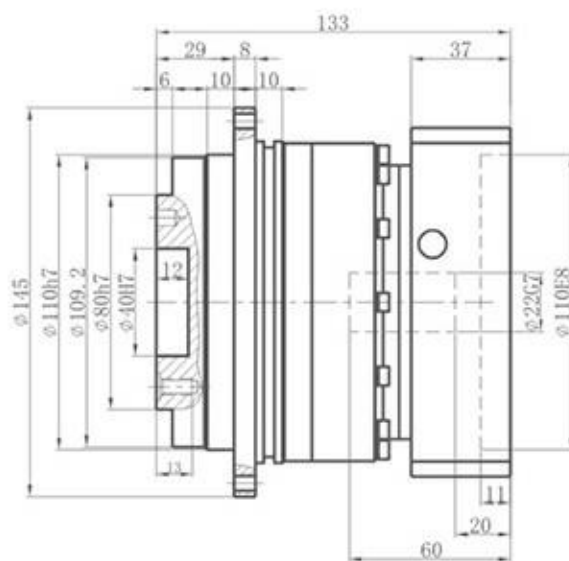
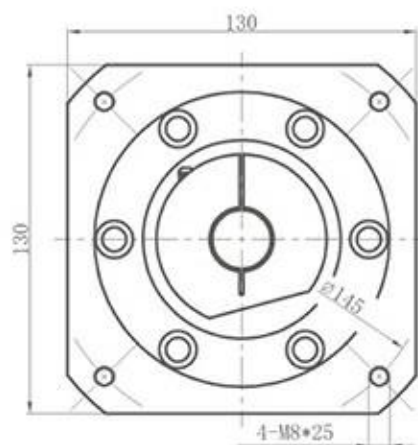


# 外形尺寸

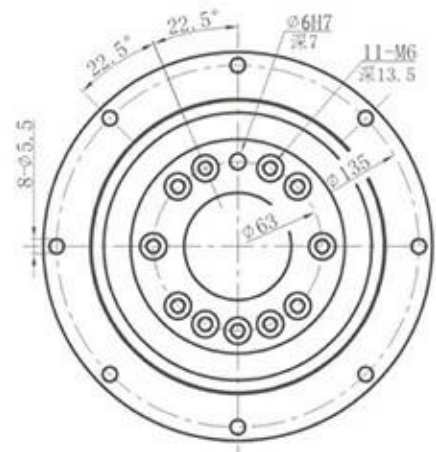
Dimensions

## PD110-L1

输入端 (Input)

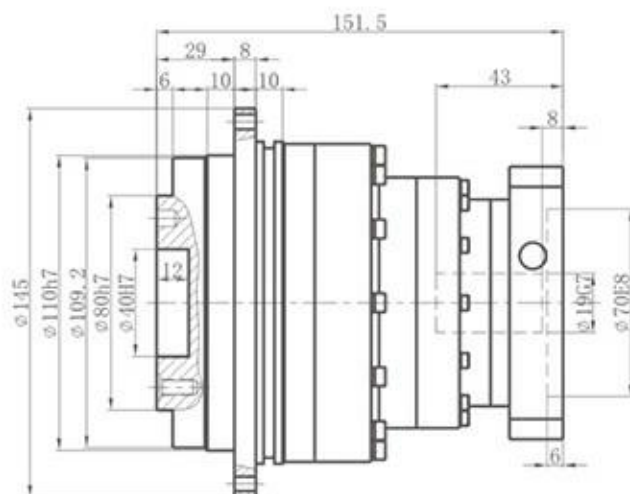
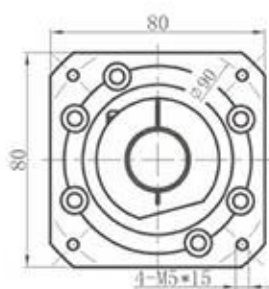


输出端 (Output)

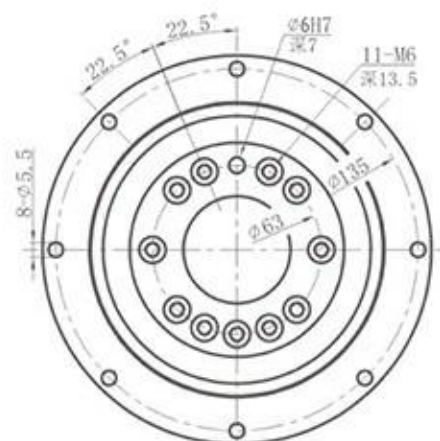


## PD110-L2

输入端 (Input)



输出端 (Output)



# 性能参数

Performance parameter

PD064		PD090		PD110				PD140				PD200		
		L1 单节 One Stage						L2 双节 Two Stage						
速比 Speed	t	l	4	5	7	8	10	20	25	35	40	50	70	100
额定输出力矩 Rated output torque	T <sub>1</sub>	Nm	270	330	300	230	270	130	160	160	160	160	140	230
急停扭矩 Emergency Stop Torque	T <sub>2</sub>	Nm	X3				X3							
额定输入转速 Rated Input Speed	S <sub>1</sub>	rpm	4000				4000							
最大输入转速 Maximum Input Speed	S <sub>2</sub>	rpm	8000				8000							
最大输出力矩 Maximum Output Torque	T <sub>4</sub>	Nm	T <sub>1</sub> * X3 * 60%				T <sub>1</sub> * X3 * 60%							
最大径向力 Maximum Radial Force	F <sub>a</sub>	N	4800				4800							
最大轴向力 Maximum Axial Force	R	N	430				430							
扭转刚性 Torsional Rigidity	-	Nm/ arcmin	82				82							
效率 Effectivraiss	B	%	>97				>94							
寿命 Life		h	20000				20000							
反馈噪音 Feedback Noise		dB	<63				<63							
重量 Weight		Kg	5.6				7.3							
回程间隙 Backlash	P <sub>0</sub>	arcmin	≤ 1				≤ 1							
	P <sub>1</sub>		≤ 3				≤ 3							
	P <sub>2</sub>		≤ 5				≤ 5							
使用温度 Operating Temperature		°C	-10°C-90°C				-10°C-90°C							
润滑 Lubricating			合成油脂 Synthetic Grease				合成油脂 Synthetic Grease							
防护等级 Protection Level			IP65				IP65							
传动惯量 Transmission Inatia	J	kg.cm <sup>2</sup>	2.87	2.71	2.62	2.57	0.47							
安装方向 Installation Direction			任意方向 Any Direction				任意方向 Any Direction							

## 备注:

变速比( $i=S_{in}/S_{out}$ )

结果输出转速100rpm时, 作用于输出轴中心。

连续运转寿命10000h。

噪音值基于输入转速3000rpm,  $i=10$ 所得。

## Remarks:

Speed ratio ( $i=S_{in}/S_{out}$ )

When the output speed is 100 rpm, it acts on the center of the output shaft.

For continuous operation, the service life is no less than 10,000 hours.

The noise value was measured based on the input rotational speed of 3000 rpm,  $i=10$ .

此样本中的所有产品型号及参数如有变更恕不另行通告, 订货前请与本司确认。

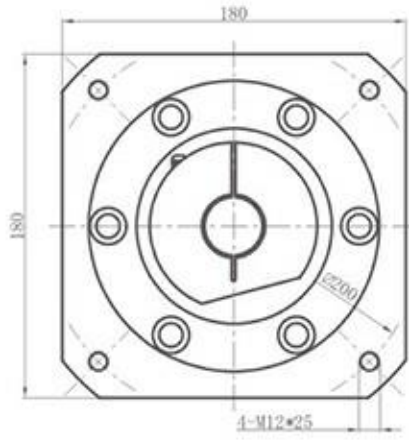
Any product models and parameters in this sample are subject to change without prior notice. Please confirm with the company before ordering.

# 外形尺寸

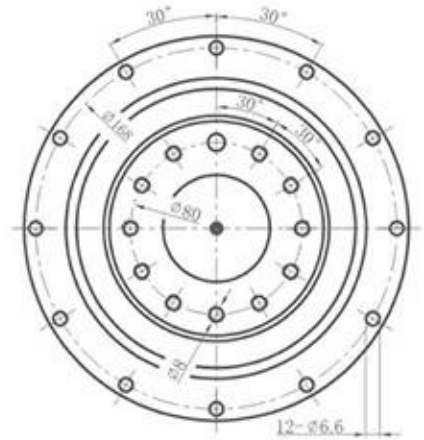
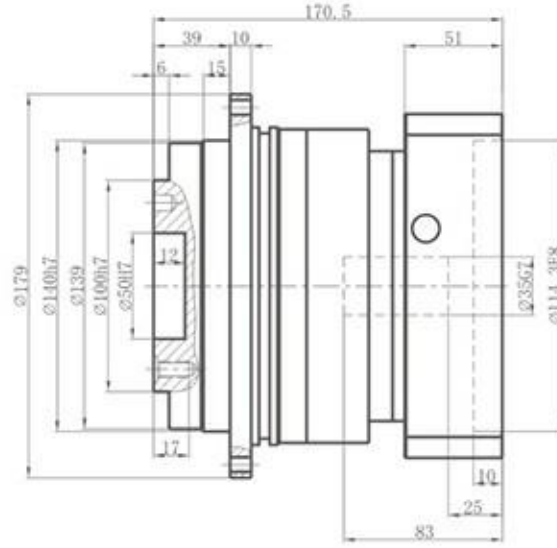
Dimensions

## PD140-L1

输入端 (Input)

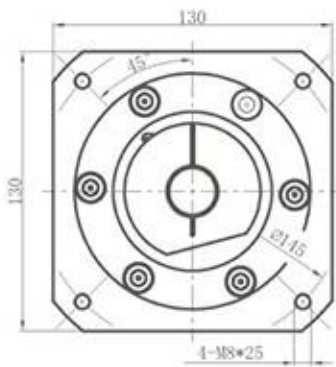


输出端 (Output)

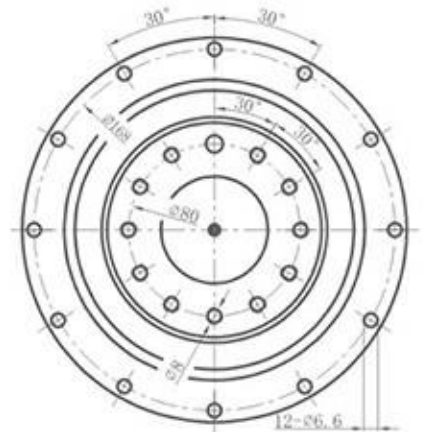
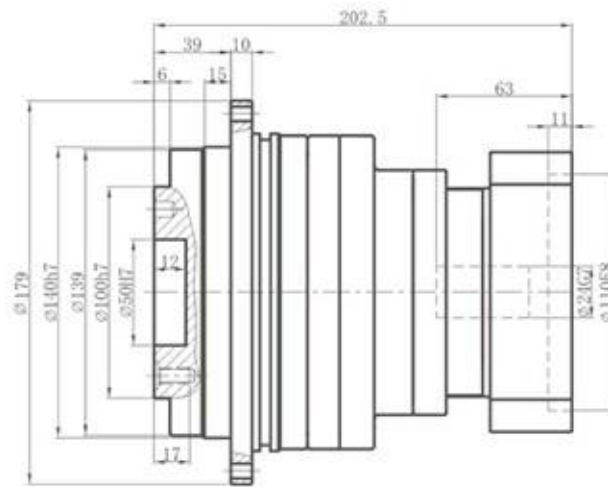


## PD140-L2

输入端 (Input)



输出端 (Output)





# 性能参数

Performance parameter

			PD064					PD090					PD110					PD140					PD200				
			L1 单节 One Stage					L2 双节 Two Stage																			
速比 Speed	t	i	4	5	7	8	10	20	25	35	40	50	70	100													
额定输出力矩 Rated output torque	T <sub>1</sub>	Nm	560	650	550	500	370	560	650	650	650	650	550	370													
急停扭矩 Emergency Stop Torque	T <sub>2</sub>	Nm	X3					X3																			
额定输入转速 Rated Input Speed	S <sub>1</sub>	rpm	3000					3000																			
最大输入转速 Maximum Input Speed	S <sub>2</sub>	rpm	6000					6000																			
最大输出力矩 Maximum Output Torque	T <sub>4</sub>	Nm	T <sub>1</sub> * X3 * 60%					T <sub>1</sub> * X3 * 60%																			
最大径向力 Maximum Radial Force	F <sub>a</sub>	N	6200					6200																			
最大轴向力 Maximum Axial Force	R	N	1300					1300																			
扭转刚性 Torsional Rigidity	-	Nm/ arcmin	151					151																			
效率 Effectivraieess	B	%	>97					>94																			
寿命 Life		h	20000					20000																			
反馈噪音 Feedback Noise		dB	<65					<65																			
重量 Weight		Kg	11.9					15.9																			
回程间隙 Backlash	P <sub>0</sub>	arcmin	≤ 1					≤ 1																			
	P <sub>1</sub>		≤ 3					≤ 3																			
	P <sub>2</sub>		≤ 5					≤ 5																			
使用温度 Operating Temperature		°C	-10°C-90°C					-10°C-90°C																			
润滑 Lubricating			合成油脂 Synthetic Grease					合成油脂 Synthetic Grease																			
防护等级 Protection Level			IP65					IP65																			
传动惯量 Transmission Inatia	J	kg.cm <sup>2</sup>	7.54	7.42	7.14	7.03	2.71					2.57															
安装方向 Installation Direction			任意方向 Any Direction					任意方向 Any Direction																			

## 备注:

变速比( $i=S_{in}/S_{out}$ )

结果输出转速100rpm时, 作用于输出轴中心。

连续运转寿命10000h。

噪音值基于输入转速3000rpm,  $i=10$ 所得。

## Remarks:

Speed ratio ( $i=S_{in}/S_{out}$ )

When the output speed is 100 rpm, it acts on the center of the output shaft.

For continuous operation, the service life is no less than 10,000 hours.

The noise value was measured based on the input rotational speed of 3000 rpm,  $i=10$ .

此样本中的所有产品型号及参数如有变更恕不另行通告, 订货前请与本司确认。

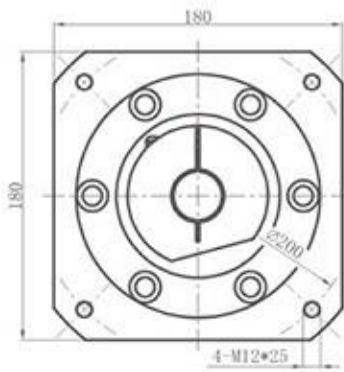
Any product models and parameters in this sample are subject to change without prior notice. Please confirm with the company before ordering.

# 外形尺寸

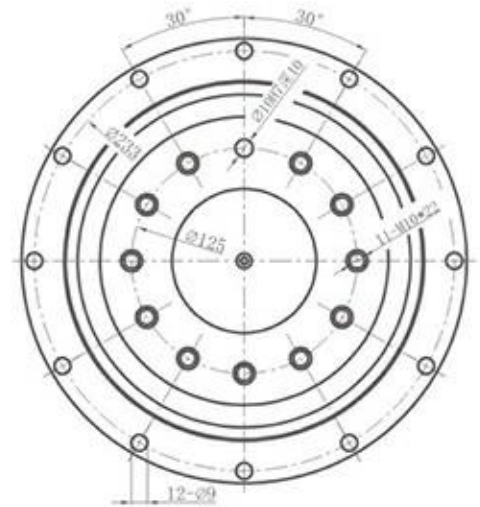
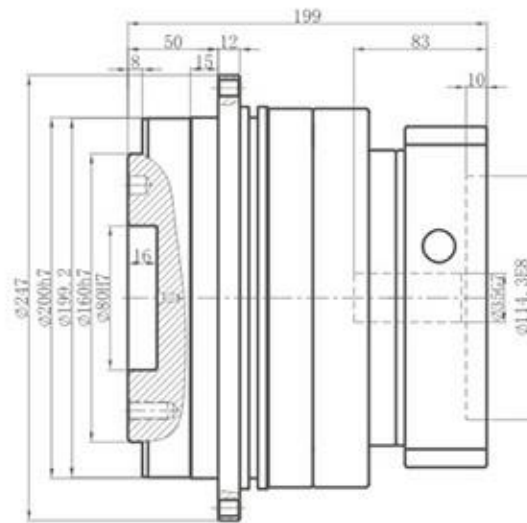
Dimensions

PD200-L1

输入端 (Input)

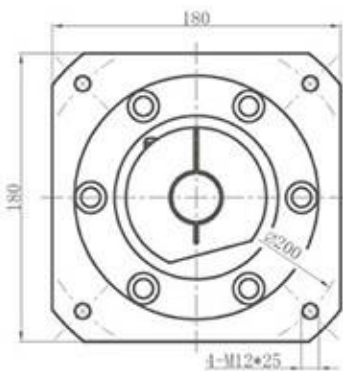


输出端 (Output)

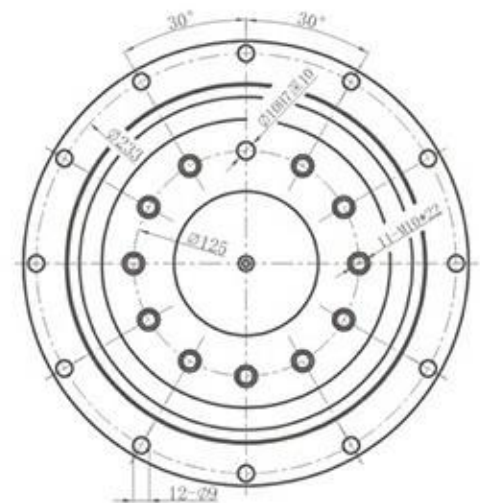
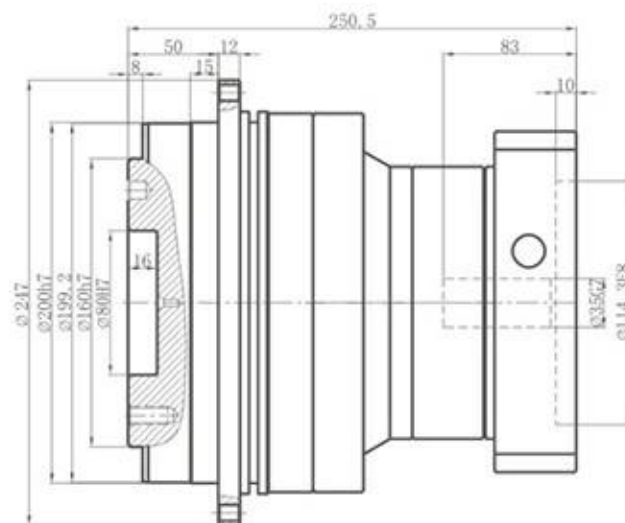


PD200-L2

输入端 (Input)



输出端 (Output)



# 性能参数

Performance parameter

		PD064	PD090	PD110				PD140	PD200					
				L1 单节 One Stage					L2 双节 Two Stage					
速比 Speed	t	i	4	5	7	8	10	20	25	35	40	50	70	100
额定输出力矩 Rated output torque	T <sub>1</sub>	Nm	1100	1200	1100	1000	900	1100	1200	1200	1200	1200	1100	900
急停扭矩 Emergency Stop Torque	T <sub>2</sub>	Nm	X3					X3						
额定输入转速 Rated Input Speed	S <sub>1</sub>	rpm	3000					3000						
最大输入转速 Maximum Input Speed	S <sub>2</sub>	rpm	6000					6000						
最大输出力矩 Maximum Output Torque	T <sub>4</sub>	Nm	T <sub>1</sub> * X3 * 60%					T <sub>1</sub> * X3 * 60%						
最大径向力 Maximum Radial Force	F <sub>a</sub>	N	5450					5450						
最大轴向力 Maximum Axial Force	R	N	3064					3064						
扭转刚性 Torsional Rigidity	-	Nm/ arcmin	440					440						
效率 Effectivraiss	B	%	>97					>94						
寿命 Life		h	20000					20000						
反馈噪音 Feedback Noise		dB	<67					<67						
重量 Weight		Kg	31.6					36.9						
回程间隙 Backlash	P <sub>0</sub>	arcmin	≤ 1					≤ 1						
	P <sub>1</sub>		≤ 3					≤ 3						
	P <sub>2</sub>		≤ 5					≤ 5						
使用温度 Operating Temperature		°C	-10°C-90°C					-10°C-90°C						
润滑 Lubricating			合成油脂 Synthetic Grease					合成油脂 Synthetic Grease						
防护等级 Protection Level			IP65					IP65						
传动惯量 Transmission Inatia	J	kg.cm <sup>2</sup>	25.1	23.3	22.5		7.42			7.03				
安装方向 Installation Direction			任意方向 Any Direction					任意方向 Any Direction						

## 备注:

变速比(i=S<sub>in</sub>/S<sub>out</sub>)

结果输出转速100rpm时, 作用于输出轴中心。

连续运转寿命10000h。

噪音值基于输入转速3000rpm, i=10所得。

## Remarks:

Speed ratio (i=S<sub>in</sub>/S<sub>out</sub>)

When the output speed is 100 rpm, it acts on the center of the output shaft.

For continous operation, the service life is no less than 10,000 hours.

The noise value was measured based on the input rotational speed of 3000 rpm, i=10.

此样本中的所有产品型号及参数如有变更恕不另行通告, 订货前请与本司确认。

Any product models and parameters in this sample are subject to change without prior notice. Please confirm with the company before ordering.